

HD74SSTV16857

1:1 14-bit SSTL_2 Registered Buffer

REJ03D0830-0700
 (Previous: ADE-205-336F)
 Rev.7.00
 Apr 07, 2006

Description

The HD74SSTV16857 is a 14-bit registered buffer designed for 2.3 V to 2.7 V Vcc operation and LVCMOS reset ($\overline{\text{RESET}}$) input / SSTL_2 data (D) inputs and CLK input.

Data flow from D to Q is controlled by differential clock pins (CLK, $\overline{\text{CLK}}$) and the $\overline{\text{RESET}}$. Data is triggered on the positive edge of the positive clock (CLK), and the negative clock ($\overline{\text{CLK}}$) must be used to maintain noise margins. When $\overline{\text{RESET}}$ is low, all registers are reset and all outputs are low.

To ensure defined outputs from the register before a stable clock has been supplied, $\overline{\text{RESET}}$ must be held in the low state during power up.

Features

- Supports LVCMOS reset ($\overline{\text{RESET}}$) input / SSTL_2 data (D) inputs and CLK input
- Differential SSTL_2 (Stub series terminated logic) CLK signal
- Flow through architecture optimizes PCB layout
- Ordering Information

Part Name	Package Type	Package Code (Previous code)	Package Abbreviation	Taping Abbreviation (Quantity)
HD74SSTV16857TEL	TSSOP-48 pin	PTSP0048KA-A (TTP-48DBV)	T	EL (1,000 pcs / Reel)
HD74SSTV16857NEL	TVSOP-48 pin	PTSP0048LA-A (TTP-48DEV)	N	EL (1,000 pcs / Reel)

Note: Please consult the sales office for the above package availability.

Function Table

Inputs				Output Q
$\overline{\text{RESET}}$	$\overline{\text{CLK}}$	CLK	D	
L	X	X	X	L
H	↓	↑	H	H
H	↓	↑	L	L
H	L or H	H or L	X	Q_0^{*1}

H : High level

L : Low level

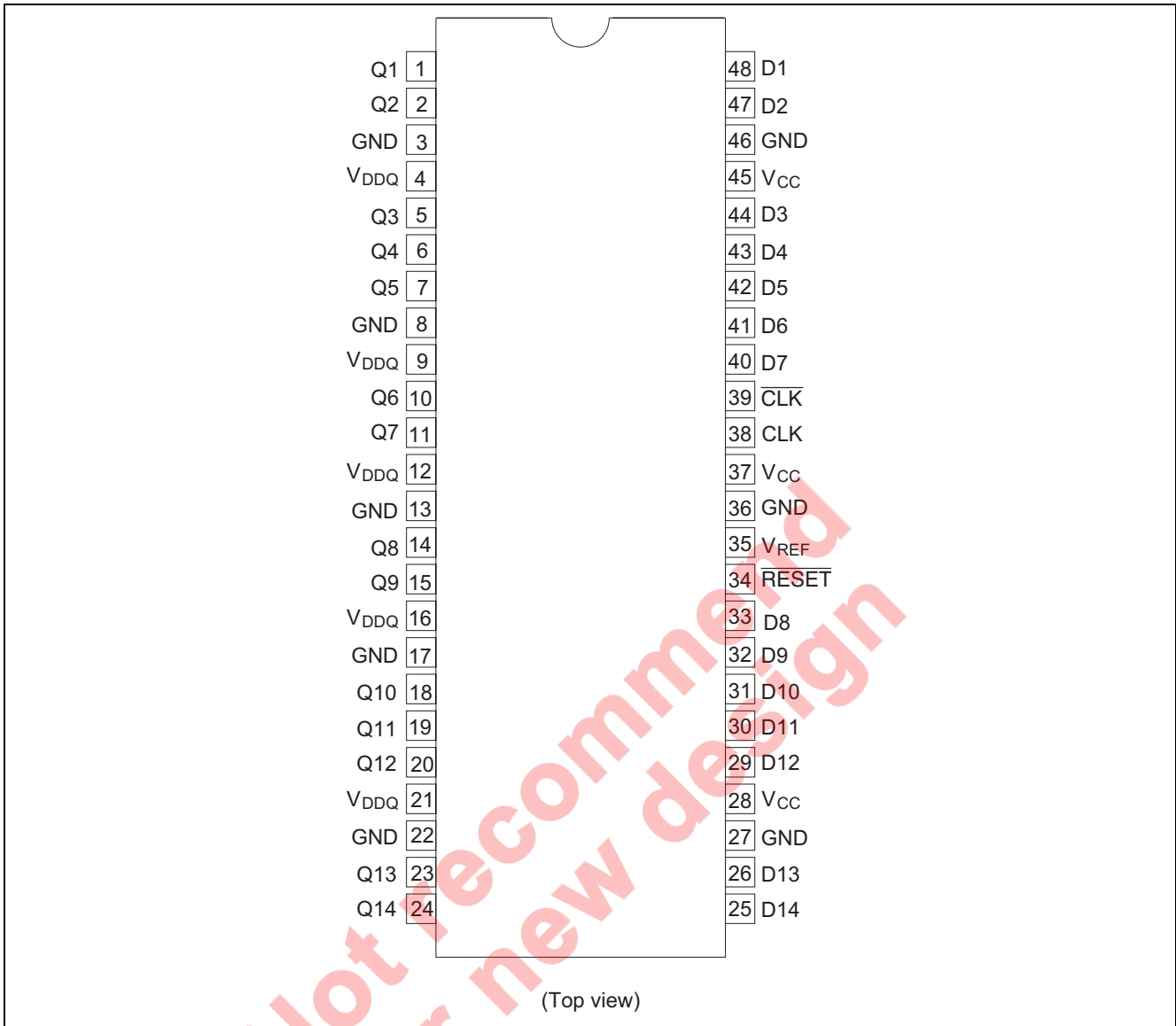
X : Immaterial

↑ : Low to high transition

↓ : High to low transition

Note: 1. Output level before the indicated steady state input conditions were established.

Pin Arrangement



Absolute Maximum Ratings

Item	Symbol	Ratings	Unit	Conditions
Supply voltage	V_{CC} or V_{DDQ}	-0.5 to 3.6	V	
Input voltage ^{*1}	V_I	-0.5 to $V_{DDQ}+0.5$	V	
Output voltage ^{*1,2}	V_O	-0.5 to $V_{DDQ}+0.5$	V	
Input clamp current	I_{IK}	±50	mA	$V_I < 0$ or $V_I > V_{CC}$
Output clamp current	I_{OK}	±50	mA	$V_O < 0$ or $V_O > V_{DDQ}$
Continuous output current	I_O	±50	mA	$V_O = 0$ to V_{DDQ}
V_{CC} , V_{DDQ} or GND current / pin	I_{CC} , I_{DDQ} or I_{GND}	±100	mA	
Maximum power dissipation at $T_a = 55^\circ\text{C}$ (in still air)	P_T	115	$^\circ\text{C} / \text{W}$	TSSOP
Storage temperature	T_{stg}	-65 to +150	$^\circ\text{C}$	

Notes: Stresses beyond those listed under “absolute maximum ratings” may cause permanent damage to the device. These are stress ratings only, and functional operation of the device at these or any other conditions beyond those indicated under “recommended operating conditions” is not implied. Exposure to absolute maximum rated conditions for extended periods may affect device reliability.

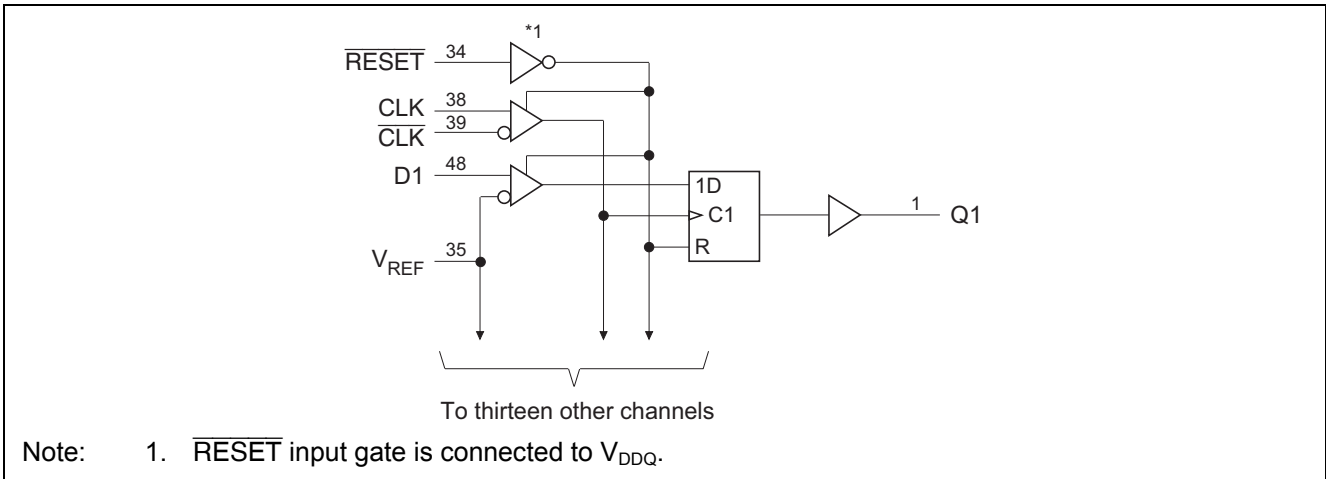
1. The input and output negative voltage ratings may be exceeded if the input and output clamp current ratings are observed.
2. This current will flow only when the output is in the high state and $V_O > V_{DDQ}$.

Recommended Operating Conditions

Item	Symbol	Min	Typ	Max	Unit	Conditions	
Supply voltage	V_{CC}	V_{DDQ}	2.5	2.7	V		
Output supply voltage	V_{DDQ}	2.3	2.5	2.7	V		
Reference voltage	V_{REF}	1.15	1.25	1.35	V	$V_{REF} = 0.5 \times V_{DDQ}$	
Termination voltage	V_{TT}	$V_{REF}-40$ mV	V_{REF}	$V_{REF}+40$ mV	V		
Input voltage	V_I	0	—	V_{CC}	V		
AC high level input voltage	V_{IH}	$V_{REF}+310$ mV	—	—	V	D	
AC low level input voltage	V_{IL}	—	—	$V_{REF}-310$ mV	V	D	
DC high level input voltage	V_{IH}	$V_{REF}+150$ mV	—	—	V	D	
DC low level input voltage	V_{IL}	—	—	$V_{REF}-150$ mV	V	D	
High level input voltage	V_{IH}	1.7	—	$V_{DDQ}+0.3$	V	$\overline{\text{RESET}}$	
Low level input voltage	V_{IL}	-0.3	—	0.7	V	$\overline{\text{RESET}}$	
Differential input voltage	(Common mode range)	V_{CMR}	0.97	—	1.53	V	CLK, $\overline{\text{CLK}}$
	(Minimum peak to peak input)	V_{PP}	360	—	—	mV	CLK, $\overline{\text{CLK}}$
High level output current	I_{OH}	—	—	-20	mA		
Low level output current	I_{OL}	—	—	20	mA		
Operating temperature	T_a	0	—	70	$^\circ\text{C}$		

Note: The $\overline{\text{RESET}}$ input of the device must be held at V_{DDQ} or GND to ensure proper device operation. The differential inputs must not be floating, unless $\overline{\text{RESET}}$ is low.

Logic Diagram



Electrical Characteristics

Item	Symbol	V_{CC} (V)	Min	Typ	Max	Unit	Test Conditions
Input diode voltage	V_{IK}	2.3	—	—	-1.2	V	$I_{\text{IN}} = -18 \text{ mA}$
Output voltage	V_{OH}	2.3 to 2.7	$V_{\text{CC}} - 0.2$	—	—	V	$I_{\text{OH}} = -100 \text{ }\mu\text{A}$
		2.3	1.95	—	V_{DDQ}	$I_{\text{OH}} = -16 \text{ mA}$	
	V_{OL}	2.3 to 2.7	—	—	0.2		$I_{\text{OL}} = 100 \text{ }\mu\text{A}$
		2.3	0	—	0.35		$I_{\text{OL}} = 16 \text{ mA}$
Input current (All inputs)	I_{IN}	2.7	—	—	± 5	μA	$V_{\text{IN}} = 2.7 \text{ V or } 0$
Quiescent supply current	I_{CC}^{*2}	2.7	—	—	45	mA	$V_{\text{IN}} = V_{\text{IH(AC)}} \text{ or } V_{\text{IL(AC)}}, I_{\text{O}} = 0$
Standby current	$I_{\text{CC (stdy)}}$	2.7	—	—	10	μA	$\overline{\text{RESET}} = \text{GND}$
Dynamic operating clock only	I_{CCD}^{*2}	2.7	—	—	90	$\mu\text{A/}$ clock MHz	$\overline{\text{RESET}} = V_{\text{CC}},$ $V_{\text{I}} = V_{\text{IH(AC)}} \text{ or } V_{\text{IL(AC)}},$ CLK and $\overline{\text{CLK}}$ switching 50% duty cycle
Dynamic operating per each data input	I_{CCD}^{*2}	2.7	—	—	15	$\mu\text{A/}$ clock MHz/ data input	$\overline{\text{RESET}} = V_{\text{CC}},$ $V_{\text{I}} = V_{\text{IH(AC)}} \text{ or } V_{\text{IL(AC)}},$ CLK and $\overline{\text{CLK}}$ switching 50% duty cycle. One data input switching at half clock frequency, 50% duty cycle.
Output high ^{*3}	r_{OH}	2.3 to 2.7	7	—	22^{*4}	Ω	$I_{\text{OH}} = -20 \text{ mA}$
Output low ^{*3}	r_{OL}	2.3 to 2.7	7	—	22^{*4}	Ω	$I_{\text{OL}} = 20 \text{ mA}$
$ r_{\text{OH}} - r_{\text{OL}} $ each separate bit ^{*3}	$r_{\text{O}(\Delta)}$	2.5	—	—	4	Ω	$I_{\text{O}} = 20 \text{ mA}, T_{\text{a}} = 25^{\circ}\text{C}$
Input capacitance	Data inputs	C_{IN}	2.5 ^{*1}	—	3.5	pF	$V_{\text{I}} = V_{\text{REF}} \pm 310 \text{ mV}$
	CLK and $\overline{\text{CLK}}$			—	3.5		$V_{\text{CMR}} = 1.25 \text{ V}, V_{\text{PP}} = 360 \text{ mV}$
	$\overline{\text{RESET}}$			3.0	—		$V_{\text{I}} = V_{\text{CC}} \text{ or } \text{GND}$

- Notes: 1. All typical values are at $V_{\text{CC}} = 2.5 \text{ V}, T_{\text{a}} = 25^{\circ}\text{C}$.
2. Total $I_{\text{CC}} (\text{max}) = I_{\text{CC}} + \{I_{\text{CCD}} (\text{clock}) \times f(\text{clock})\} + \{I_{\text{CCD}} (\text{Data}) \times 1/2f(\text{clock}) \times 14\}$
3. This is effective in the case that it did terminate by resistance.
4. See figure. 1, 2

Switching Characteristics

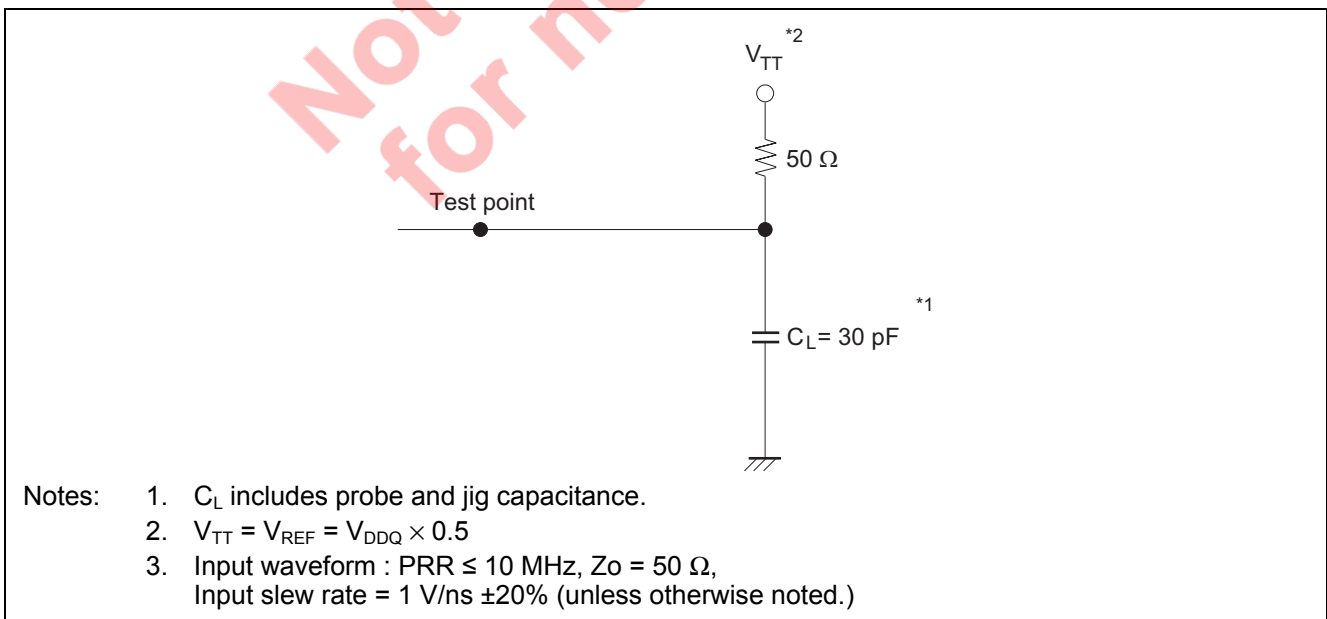
Item	Symbol	$V_{CC} = 2.5 \pm 0.2 \text{ V}$		Unit	Test Condition	
		Min	Max			
Clock frequency ^{*1}	f_{clock}	—	200	MHz		
Setup time	Fast slew rate ^{*4, 6}	t_{su}	0.75	—	ns	Data before $\overline{\text{CLK}}\uparrow, \text{CLK}\downarrow$
	Slow slew rate ^{*5, 6}		0.9	—		
Hold time	Fast slew rate ^{*4, 6}	t_{h}	0.75	—	ns	Data after $\text{CLK}\uparrow, \overline{\text{CLK}}\downarrow$
	Slow slew rate ^{*5, 6}		0.9	—		
Differential inputs active time	t_{act}	22	—	ns	Data inputs must be low after $\overline{\text{RESET}}$ high.	
Differential inputs inactive time	t_{inact}	22	—	ns	Data and clock inputs must be held at valid levels (not floating) after $\overline{\text{RESET}}$ low.	
Pulse width	t_{w}	2.5	—	ns	$\text{CLK}, \overline{\text{CLK}}$ "H" or "L"	
Output slew ^{*3}	t_{SL}	1	4	volt/ns		

($C_L = 30 \text{ pF}, R_L = 50 \Omega, V_{\text{REF}} = V_{\text{TT}} = V_{\text{DDQ}} \times 0.5$)

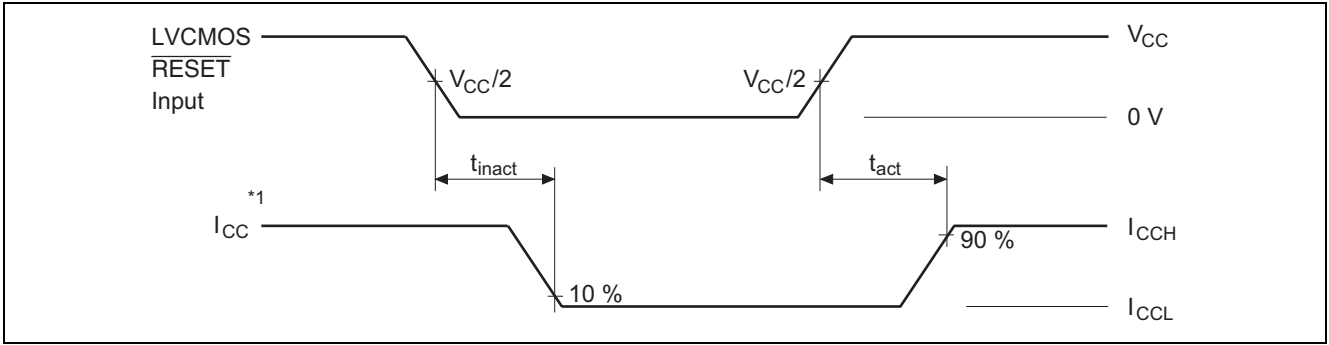
Item	Symbol	$V_{CC} = 2.5 \pm 0.2 \text{ V}$			Unit	FROM (Input)	TO (Output)
		Min	Typ	Max			
Maximum clock frequency	f_{max}	200	—	—	MHz		
Propagation delay time ^{*2}	$t_{\text{PLH}}, t_{\text{PHL}}$	1.1	—	2.8	ns	$\text{CLK}, \overline{\text{CLK}}$	Q
	t_{PHL}	—	—	5.0		$\overline{\text{RESET}}$	Q

- Notes:
1. Although the clock is differential, all timing is relative to CLK going high and $\overline{\text{CLK}}$ going low.
 2. This timing relationship is specified into test load (see waveforms – 3, 4) with all of the outputs switching.
 3. Assumes into an equivalent, distributed load to the address net structure defined in the application information provided in this specification.
 4. For data signal input slew rate $\geq 1 \text{ V/ns}$.
 5. For data signal input slew rate $\geq 0.5 \text{ V/ns}$ and $< 1 \text{ V/ns}$.
 6. $\text{CLK}, \overline{\text{CLK}}$ signals input slew rates are $\geq 1 \text{ V/ns}$.

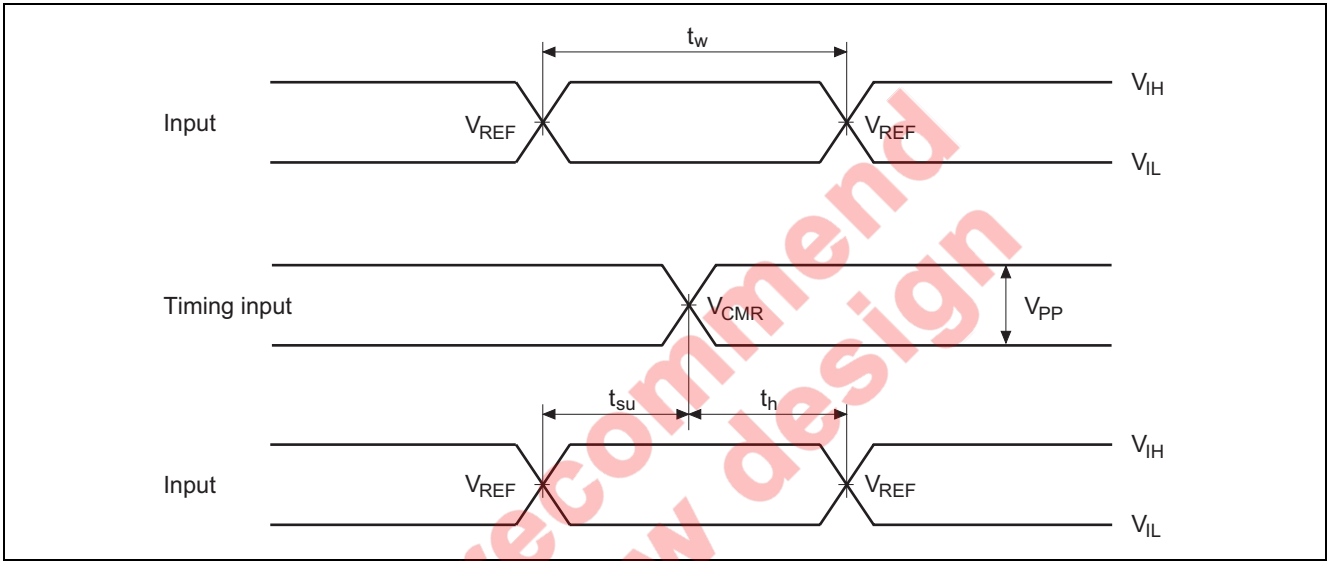
Test Circuit



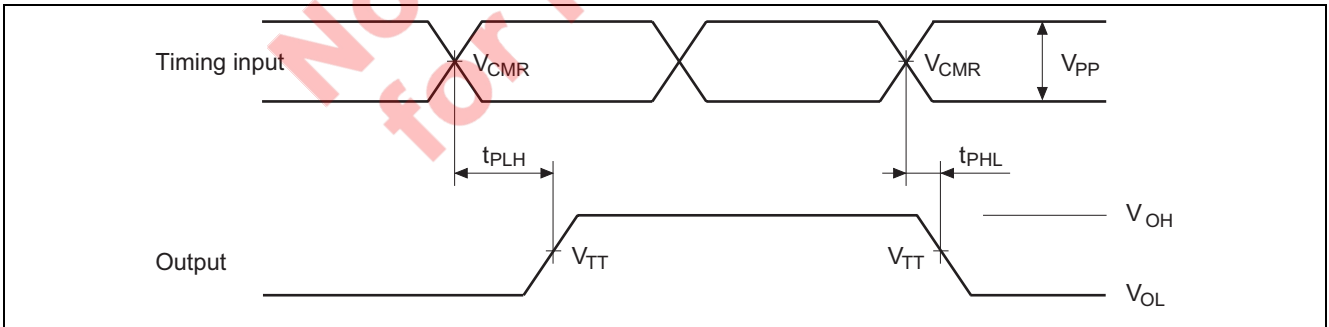
Waveforms – 1



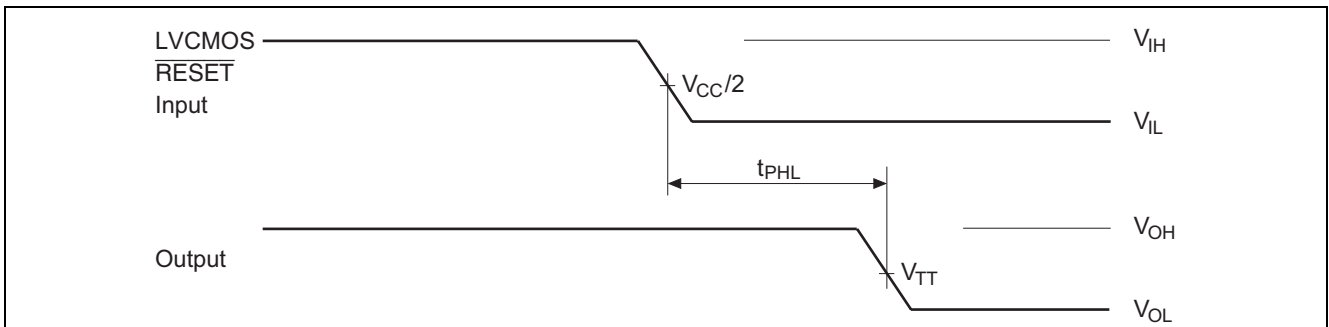
Waveforms – 2



Waveforms – 3



Waveforms – 4



- Notes:
1. I_{CC} tested with clock and data inputs held at V_{CC} or GND, and $I_O = 0$ mA.
 2. All input pulses are supplied by generators having the following characteristics :
 $PRR \leq 10$ MHz, $Z_o = 50 \Omega$, input slew rate = 1 V/ns $\pm 20\%$ (unless otherwise specified).
 3. The outputs are measured one at a time with one transition per measurement.
 4. $V_{TT} = V_{REF} = V_{DDQ}/2$
 5. $V_{IH} = V_{REF} + 310$ mV (AC voltage levels) for differential inputs. $V_{IH} = V_{CC}$ for LVC MOS input.
 6. $V_{IL} = V_{REF} - 310$ mV (AC voltage levels) for differential inputs. $V_{IL} = GND$ for LVC MOS input.
 7. t_{PLH} and t_{PHL} are the same as t_{pd}

Not recommended for new design

Application Data

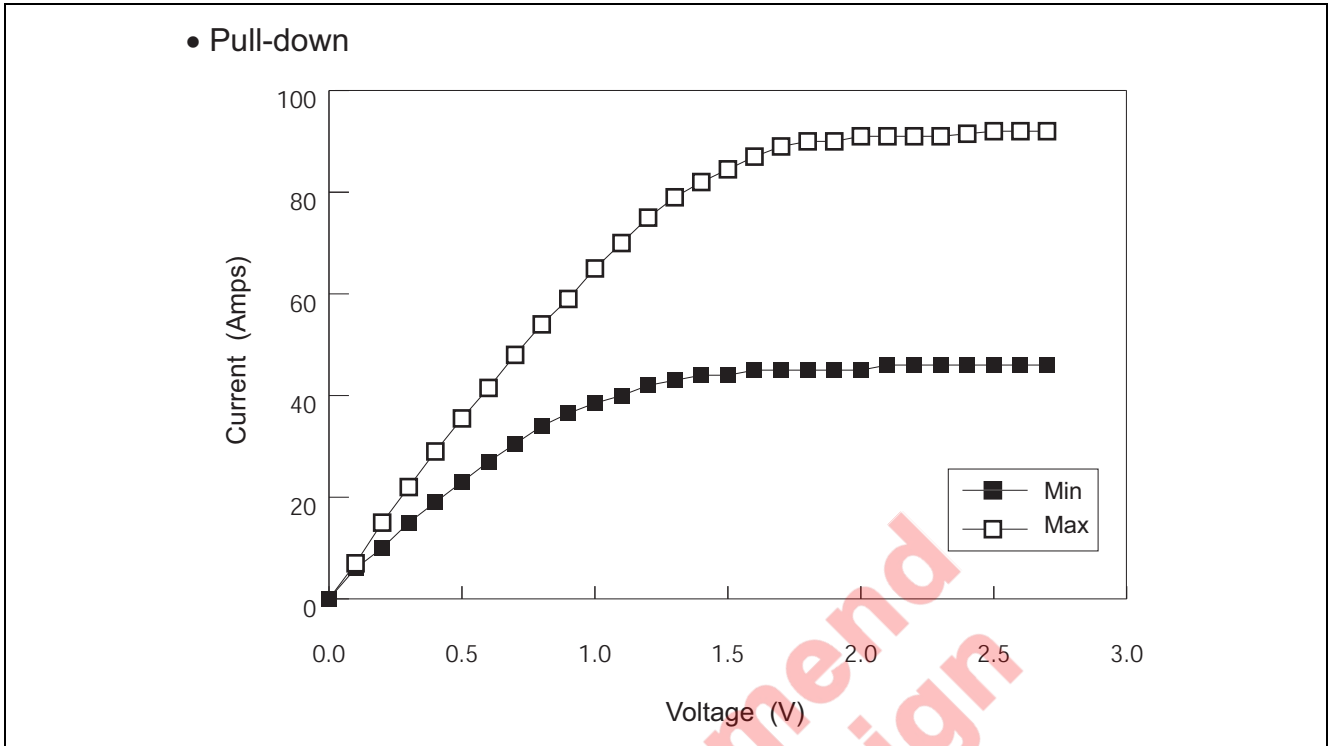


Figure . 1

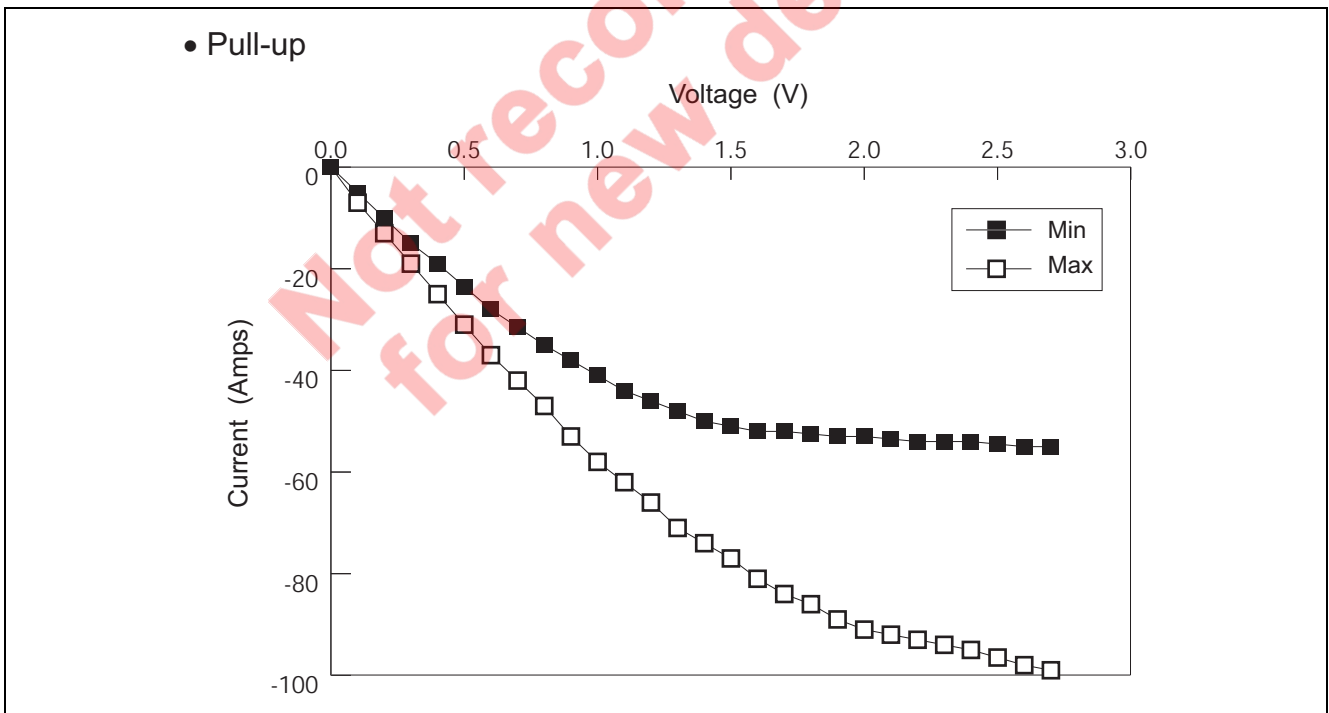


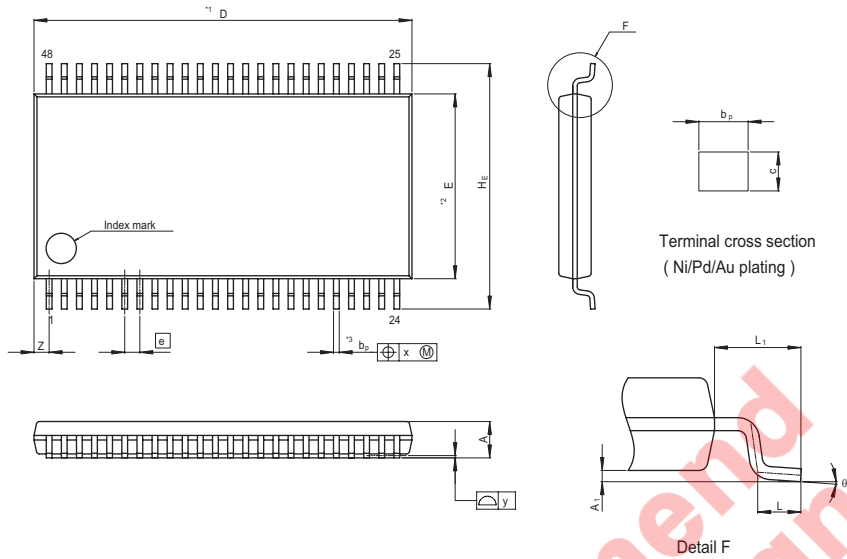
Figure . 2

Curve Data

Voltage (V)	Pull-down		Pull-up	
	I (mA)	I (mA)	I (mA)	I (mA)
	Min	Max	Min	Max
0.0	0	0	0	0
0.1	6	7	-5	-7
0.2	10	15	-10	-13
0.3	15	22	-15	-19
0.4	19	29	-19	-25
0.5	23	35.5	-23.5	-31
0.6	27	41.5	-28	-37
0.7	30.5	48	-31.5	-42
0.8	34	54	-35	-47
0.9	36.5	59	-38	-53
1.0	38.5	65	-41	-58
1.1	40	70	-44	-62
1.2	42	75	-46	-66
1.3	43	79	-48	-71
1.4	44	82	-50	-74
1.5	44	84.5	-51	-77
1.6	45	87	-52	-81
1.7	45	89	-52	-84
1.8	45	90	-52.5	-86
1.9	45	90	-53	-89
2.0	45	91	-53	-91
2.1	46	91	-53.5	-92
2.2	46	91	-54	-93
2.3	46	91	-54	-94
2.4	46	91.5	-54	-95
2.5	46	92	-54.5	-96.5
2.6	46	92	-55	-98
2.7	46	92	-55	-99

Package Dimensions

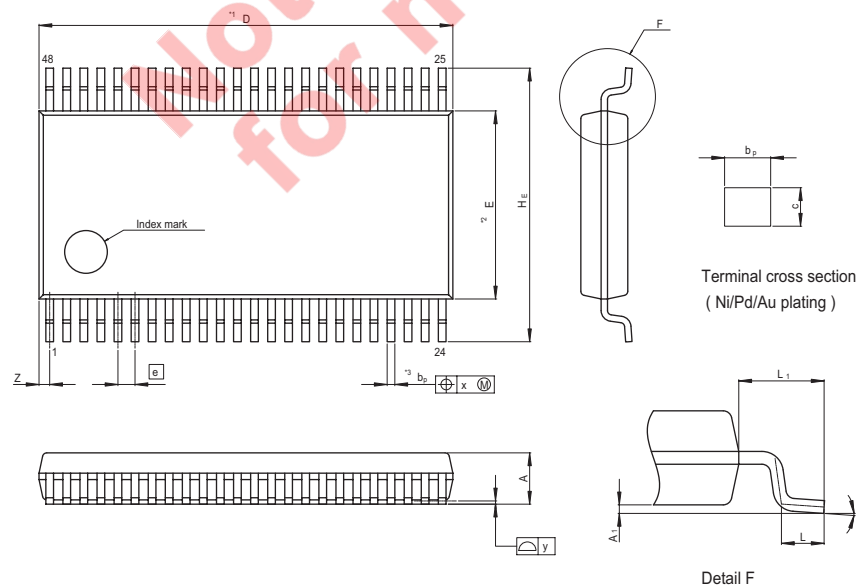
JEITA Package Code	RENESAS Code	Previous Code	MASS[Typ.]
P-TSSOP48-6.1x12.5-0.50	PTSP0048KA-A	TTP-48DBV	0.2g



NOTE)
 1. DIMENSIONS**1 (Nom)**AND**2*
 DO NOT INCLUDE MOLD FLASH.
 2. DIMENSION**3*DOES NOT
 INCLUDE TRIM OFFSET.

Reference Symbol	Dimension in Millimeters		
	Min	Nom	Max
D	—	12.5	12.7
E	—	6.10	—
A ₂	—	—	—
A ₁	0.08	0.13	0.18
A	—	—	1.20
b _p	0.14	0.19	0.24
b ₁	—	—	—
c	0.10	0.15	0.20
c ₁	—	—	—
θ	0°	—	8°
H _E	7.90	8.10	8.30
Ⓜ	—	0.50	—
x	—	—	0.08
y	—	—	0.10
Z	—	—	0.65
L	0.4	0.5	0.6
L ₁	—	1.0	—

JEITA Package Code	RENESAS Code	Previous Code	MASS[Typ.]
P-TSSOP48-4.4x9.7-0.40	PTSP0048LA-A	TTP-48DEV	0.077g



NOTE)
 1. DIMENSIONS**1 (Nom)**AND**2*
 DO NOT INCLUDE MOLD FLASH.
 2. DIMENSION**3*DOES NOT
 INCLUDE TRIM OFFSET.

Reference Symbol	Dimension in Millimeters		
	Min	Nom	Max
D	—	9.70	9.90
E	—	4.40	—
A ₂	—	—	—
A ₁	0.05	0.10	0.15
A	—	—	1.20
b _p	0.13	0.18	0.23
b ₁	—	—	—
c	0.10	0.15	0.20
c ₁	—	—	—
θ	0°	—	8°
H _E	6.20	6.40	6.60
Ⓜ	—	0.40	—
x	—	—	0.07
y	—	—	0.08
Z	—	—	0.40
L	0.40	0.50	0.60
L ₁	—	1.00	—

Keep safety first in your circuit designs!

1. Renesas Technology Corp. puts the maximum effort into making semiconductor products better and more reliable, but there is always the possibility that trouble may occur with them. Trouble with semiconductors may lead to personal injury, fire or property damage. Remember to give due consideration to safety when making your circuit designs, with appropriate measures such as (i) placement of substitutive, auxiliary circuits, (ii) use of nonflammable material or (iii) prevention against any malfunction or mishap.

Notes regarding these materials

1. These materials are intended as a reference to assist our customers in the selection of the Renesas Technology Corp. product best suited to the customer's application; they do not convey any license under any intellectual property rights, or any other rights, belonging to Renesas Technology Corp. or a third party.
2. Renesas Technology Corp. assumes no responsibility for any damage, or infringement of any third-party's rights, originating in the use of any product data, diagrams, charts, programs, algorithms, or circuit application examples contained in these materials.
3. All information contained in these materials, including product data, diagrams, charts, programs and algorithms represents information on products at the time of publication of these materials, and are subject to change by Renesas Technology Corp. without notice due to product improvements or other reasons. It is therefore recommended that customers contact Renesas Technology Corp. or an authorized Renesas Technology Corp. product distributor for the latest product information before purchasing a product listed herein.
The information described here may contain technical inaccuracies or typographical errors.
Renesas Technology Corp. assumes no responsibility for any damage, liability, or other loss rising from these inaccuracies or errors.
Please also pay attention to information published by Renesas Technology Corp. by various means, including the Renesas Technology Corp. Semiconductor home page (<http://www.renesas.com>).
4. When using any or all of the information contained in these materials, including product data, diagrams, charts, programs, and algorithms, please be sure to evaluate all information as a total system before making a final decision on the applicability of the information and products. Renesas Technology Corp. assumes no responsibility for any damage, liability or other loss resulting from the information contained herein.
5. Renesas Technology Corp. semiconductors are not designed or manufactured for use in a device or system that is used under circumstances in which human life is potentially at stake. Please contact Renesas Technology Corp. or an authorized Renesas Technology Corp. product distributor when considering the use of a product contained herein for any specific purposes, such as apparatus or systems for transportation, vehicular, medical, aerospace, nuclear, or undersea repeater use.
6. The prior written approval of Renesas Technology Corp. is necessary to reprint or reproduce in whole or in part these materials.
7. If these products or technologies are subject to the Japanese export control restrictions, they must be exported under a license from the Japanese government and cannot be imported into a country other than the approved destination.
Any diversion or reexport contrary to the export control laws and regulations of Japan and/or the country of destination is prohibited.
8. Please contact Renesas Technology Corp. for further details on these materials or the products contained therein.



RENESAS SALES OFFICES

<http://www.renesas.com>

Refer to "<http://www.renesas.com/en/network>" for the latest and detailed information.

Renesas Technology America, Inc.

450 Holger Way, San Jose, CA 95134-1368, U.S.A
Tel: <1> (408) 382-7500, Fax: <1> (408) 382-7501

Renesas Technology Europe Limited

Dukes Meadow, Millboard Road, Bourne End, Buckinghamshire, SL8 5FH, U.K.
Tel: <44> (1628) 585-100, Fax: <44> (1628) 585-900

Renesas Technology (Shanghai) Co., Ltd.

Unit 204, 205, AZIACenter, No.1233 Lujiazui Ring Rd, Pudong District, Shanghai, China 200120
Tel: <86> (21) 5877-1818, Fax: <86> (21) 6887-7898

Renesas Technology Hong Kong Ltd.

7th Floor, North Tower, World Finance Centre, Harbour City, 1 Canton Road, Tsimshatsui, Kowloon, Hong Kong
Tel: <852> 2265-6688, Fax: <852> 2730-6071

Renesas Technology Taiwan Co., Ltd.

10th Floor, No.99, Fushing North Road, Taipei, Taiwan
Tel: <886> (2) 2715-2888, Fax: <886> (2) 2713-2999

Renesas Technology Singapore Pte. Ltd.

1 Harbour Front Avenue, #06-10, Keppel Bay Tower, Singapore 098632
Tel: <65> 6213-0200, Fax: <65> 6278-8001

Renesas Technology Korea Co., Ltd.

Kukje Center Bldg. 18th Fl., 191, 2-ka, Hangang-ro, Yongsan-ku, Seoul 140-702, Korea
Tel: <82> (2) 796-3115, Fax: <82> (2) 796-2145

Renesas Technology Malaysia Sdn. Bhd

Unit 906, Block B, Menara Amcorp, Amcorp Trade Centre, No.18, Jalan Persiaran Barat, 46050 Petaling Jaya, Selangor Darul Ehsan, Malaysia
Tel: <603> 7955-9390, Fax: <603> 7955-9510